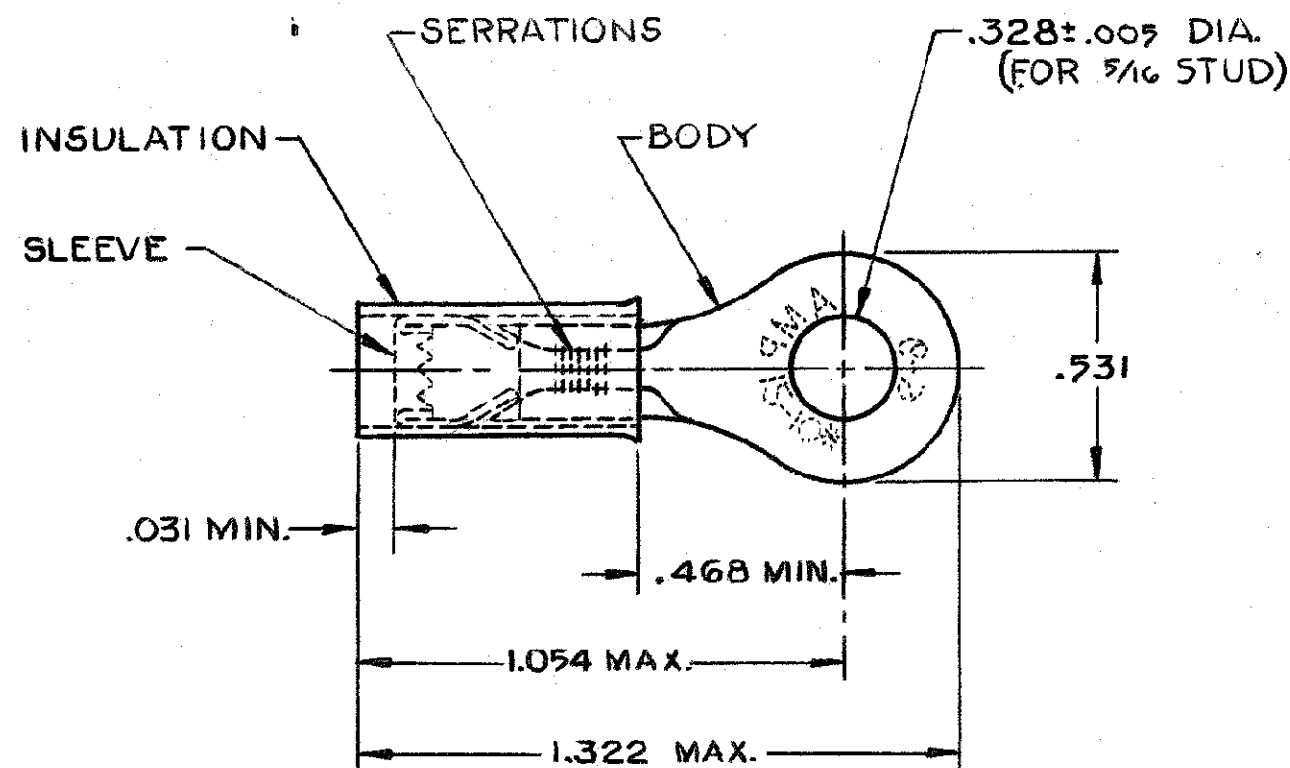


THIS DRAWING IS UNPUBLISHED. RELEASED FOR PUBLICATION . 19  
 © COPYRIGHT 19 BY AMP INCORPORATED, HARRISBURG, PA. ALL INTERNATIONAL RIGHTS RESERVED. AMP PRODUCTS MAY BE COVERED BY U.S. AND FOREIGN PATENTS AND/OR PATENTS PENDING.

REVISIONS						
P	F	ZONE	LTR	DESCRIPTION	DATE	APPROVED
✓	✓		D	REDRAWN-REVISED PER G-1477, G-1177 & P85-0069.	1-27-86	pgm
✓	✓		E	REV PER G-4732	JT 7/26/88	RJC
✓	✓		F	ADDED NOTE 4 PER G-4774	9/14/88	MSF/64
✓	✓		G	OBS. 2-2 PER G-3705	JT 10/14/88	AG
			H	REV. / 0720-0036-93	TO 3-5-93	me
			J	REV/ 0L20-0100-97	ME 5-2-97	TM
			K	REV PER 063A-0274-01	2/5/01	WJ/TM



- 1 WIRE INSULATION DIA. = .150 - .250
- 2 TONGUE MATERIAL THK. = .040 ± .002
- 3 TIN PLATE (MIL-T-10727) .000100 MIN THK.
- 4 ALTERNATE PVC INSULATION MATERIAL FOR FOREIGN SUBSIDIARIES ONLY.
- 5 THIS IS NOT A U.S. MILITARY QUALIFIED PART
- 6 SUPERSEDED BY 8-35111-1

5	2500	ON TAPE, REEL	3-35111-2
5	500	LOOSE PC.	3-35111-1
5	50	LOOSE PC, BOX SPL	8-35111-5
5	25	LOOSE PC, BLS	8-35111-4
5	100	LOOSE PC, BOX	8-35111-1
5	500	ON TAPE, LG. BOX	<del>2-35111-2</del>
MS25036-113 CLASS 1	2500	ON TAPE, REEL	2-35111-1
MS25036-113 CLASS 2	500	LOOSE PIECE	35111
MILITARY PART NO. & CLASS	QTY.	DESCRIPTION	PART NO

UNLESS OTHERWISE SPECIFIED DIMENSIONS ARE IN INCHES. TOLERANCES ON: DECIMALS ±.002 ANGLES ± —	CONTRACT NO	<b>AMP</b>   AMP INCORPORATED Harrisburg, Pa.	
	DR UTA / RFB 9-25-85		
MATERIAL INSULATION: NYLON-YELLOW 4 BODY & SLEEVE: COPPER (QQ-C-576)	CHK P. Mutyahangh 1/27/86	NAME <b>TERMINAL</b>	
	APPD Chai Leay Tran 01/28/86	P.I.D.G. RING TONGUE WIRE SIZE: 12-10	
FINISH BODY: 3	OSGN APPD	SIZE <b>B</b>	FSCM NO <b>00779</b>
	OTHER APPD	DRAWING NO <b>35111</b>	
		SCALE NTS	SHEET 1 OF 1